


PROTOTYPE

PROPRIETARY AND CONFIDENTIAL
 THE INFORMATION CONTAINED IN THIS DRAWING IS THE SOLE PROPERTY OF **FRUITLAND MANUFACTURING**. ANY REPRODUCTION IN PART OR AS A WHOLE WITHOUT THE WRITTEN PERMISSION OF FRUITLAND MFG. IS PROHIBITED.

CUSTOMER COPY

PART#: ELIM FB2000-H DIMENSIONS

	NAME	DATE		324 Leaside Avenue Stoney Creek, Ontario, CANADA L8E 2N7 Phone: (905) 662-6552 Fax: (905) 662 9875	
CREATED	Z.D.	09/23/2015		TITLE:	
CHECKED	K.A.	09/23/2015	ELIM FB2000-H DIMENSIONS		
UNLESS OTHERWISE SPECIFIED: DIMENSIONS ARE IN INCHES TOLERANCES: FRACTIONAL OR .X = ±.015 .XX = ±.010 .XXX = ±.005			DWG. NO. ELIM FB2000-H-DIMENSIONS		REV PO
MATERIAL	--	SCALE: 18	WEIGHT:--	SHEET 1 OF 4	


ITEM#	PART #	DESCRIPTION	QTY.
1	FB2000	Blower FB2000	1
2	FB2000-FR	FB2000 Elim Frame	1
3	FB2000-IN	FB2000 Elim Intake	1
4	FB2000-IN-G03	Suction Gasket (Pump to Intake)	1
5	FB2000-EXFL-G	Dischard Gasket (Pump to Air Injection)	1
6	FB2000-AI	FB2000 Elim Air Injection	1
7	FB2000-PCPL-06	Grooved Cuplings_6 in	2
8	FB2000-MU	FB2000 Elim Muffler	1
9	6" HOSE	Ø 6" Hose	4"
10	6" HOSE	Ø 6" Hose	4"
11	6" HOSE CLAMP HD	6" Hose Clamp M10 175-187	4
12	FB2000-DF-02	6" Diverter Flange-2 with Elbow 3-4 (Tube)	1
13	6DVT-LCF	6" Diverter Flange	1
14	6DVT-LCF-G	6 in Diverter LC Flange Gasket	4
15	6DVA	6" Diverter Valve (4-Way)	1
16	FB2000-DF-01	6" Diverter Flange-1 with Elbow K-L (Pipe)	1
17	FB2000-FT	FB2000 Elim Filter Housing	1
18	FB2000-DF-03	Flange (St Wafer Valve to Diverter Valve)	1
19	FB2000-BUV-06	ST Wafer Check Valve	1
20	FB-2000HMA	FB-2000-Hydraulic Motor Adaptor	1
21	FB2000-ENFR	FB2000 Elim Encosure Frame	1
Bolts and Studs			
F1	M12X40HEXH	12mm Hex Head Bolt 12x1.5x40	12
F2		12mm Hex Head Bolt 12x1.5x45	4
F3		12mm SHCS 12x1.75x50	4
F4		16mm SHCS 16x2x40	2
F5		16mm SHCS 16x2x120	6
F6		20mm SHCS 20x2.5x45	8
F7	5/8"X2" HEX HEAD	5/8" NC 2" Long Zinc Plated Hex Head Bolts	4
F8		1/2" Stud - 5.5" Long	8
F9	3/8"X1-1/2" HEX HEAD	3/8" NC 1.5" Long Zinc Plated Hex Head Bolts	2
F10	3/8"X4-1/4" HEX HEAD	3/8" NC 4.25" Long Zinc Plated Hex Head Bolts	8
F11		1/4"-28, 3/4" Long SS Flanged Button-Head Socket Cap Screw	9

Hex Nuts			
N1	5/8" NUT	5/8" Zinc Plated NC Hex Nuts	4
N2	1/2" NUT	1/2" Zinc Plated NC Hex Nuts	8
N3	3/8" NUT	3/8" Zinc Plated NC Hex Nuts	10
Flat Washers			
W1	5/8" F/W-SAE	5/8" Zinc Plated Flat Washer, Small	4
W2	5/8" F/W-USS	5/8" Zinc Plated Flat Washer, Large	4
W3	3/8" F/W-SAE	3/8" Zinc Plated Flat Washer, Small	10
W4	3/8" F/W-USS	3/8" Zinc Plated Flat Washer, Large	10
Lock Washers			
L1		12mm Lock Washers	16
L2		16mm Lock Washer	8
L3		20mm Lock Washer	8
L4	5/8" L/W	5/8" Lock Washer	4
L5	1/2" L/W	1/2" Lock Washer	8
L6	3/8" L/W	3/8" Lock Washer	10

PROTOTYPE

CUSTOMER COPY

PART # ELIM FB2000-H

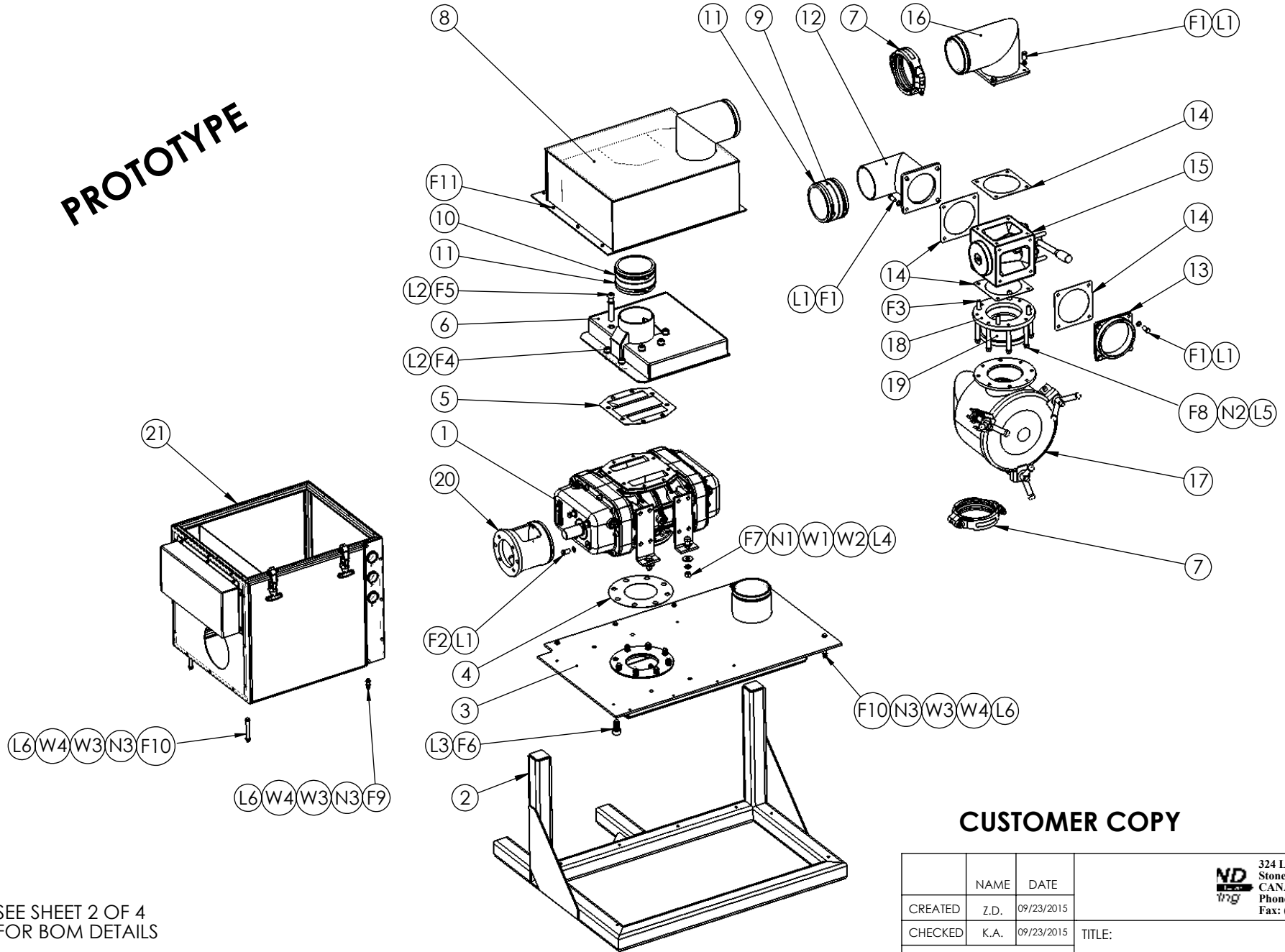
	NAME	DATE		324 Leaside Avenue Stoney Creek, Ontario, CANADA L8E 2N7 Phone: (905) 662-6552 Fax: (905) 662 9875	
CREATED	Z.D.	09/23/2015			
CHECKED	K.A.	09/23/2015	TITLE:		
			ELIM FB2000-H BOM		
			DWG. NO.		REV
			ELIM FB2000-H		PO
MATERIAL	--		SCALE: --	WEIGHT:--	SHEET 2 OF 4

PROPRIETARY AND CONFIDENTIAL

THE INFORMATION CONTAINED IN THIS DRAWING IS THE SOLE PROPERTY OF FRUITLAND MANUFACTURING. ANY REPRODUCTION IN PART OR AS A WHOLE WITHOUT THE WRITTEN PERMISSION OF FRUITLAND MFG. IS PROHIBITED.

UNLESS OTHERWISE SPECIFIED:
DIMENSIONS ARE IN INCHES
TOLERANCES:
FRACTIONAL OR .X = ±.015
.XX = ±.010
.XXX = ±.005


PROTOTYPE



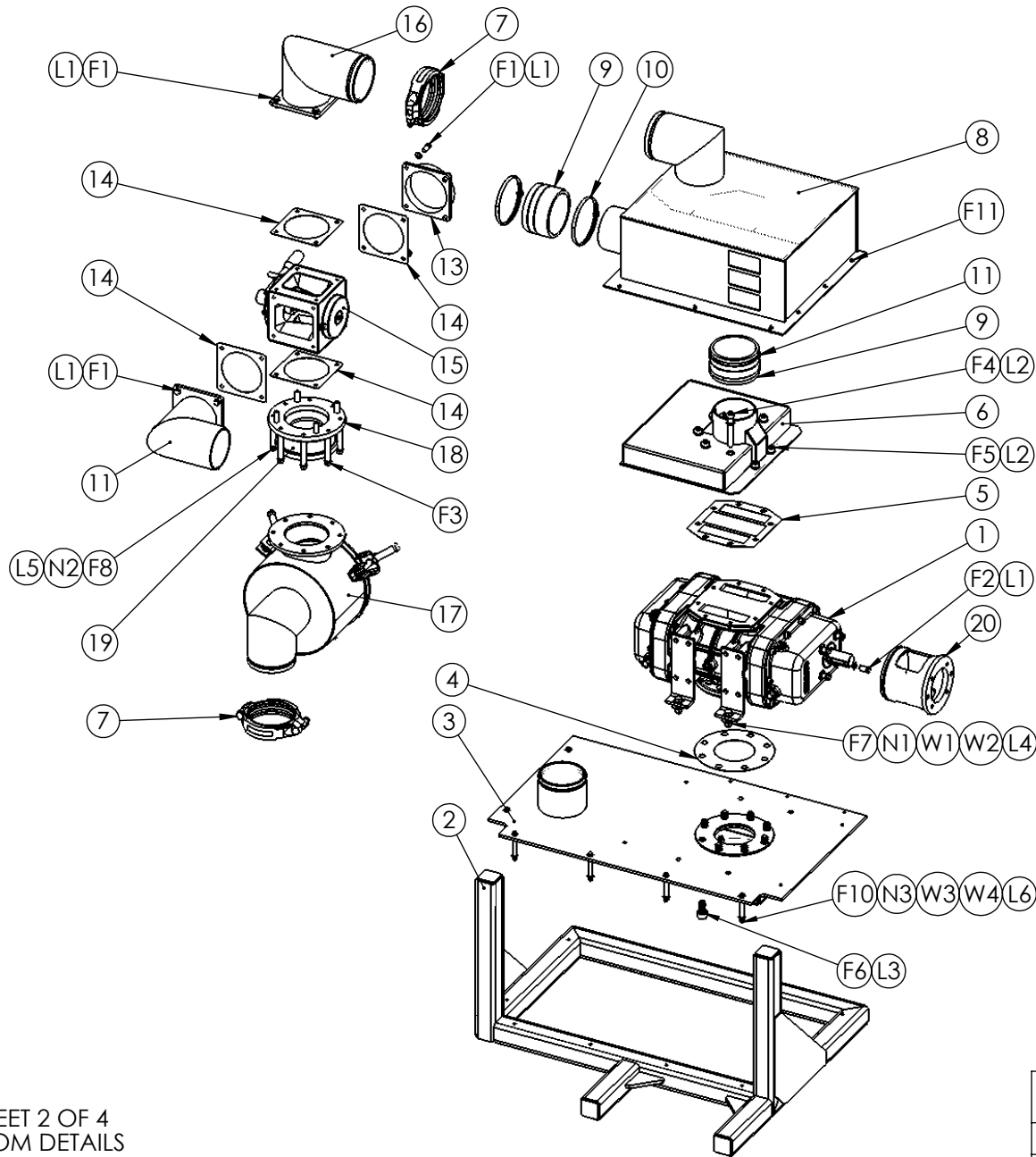
SEE SHEET 2 OF 4
FOR BOM DETAILS

PART # ELIM FB2000-H

CUSTOMER COPY

	NAME	DATE	 324 Leaside Avenue Stoney Creek, Ontario, CANADA L8E 2N7 Phone: (905) 662-6552 Fax: (905) 662 9875	
CREATED	Z.D.	09/23/2015		
CHECKED	K.A.	09/23/2015	TITLE:	
UNLESS OTHERWISE SPECIFIED: DIMENSIONS ARE IN INCHES TOLERANCES: FRACTIONAL OR .X = ±.015 .XX = ±.010 .XXX = ±.005			ELIM FB2000-H BOM (VIEW 1)	
MATERIAL			DWG. NO.	
			ELIM FB2000-H	
			SCALE: 1:12	REV PO
			WEIGHT:--	SHEET 3 OF 4

PROPRIETARY AND CONFIDENTIAL
 THE INFORMATION CONTAINED IN THIS
 DRAWING IS THE SOLE PROPERTY OF
FRUITLAND MANUFACTURING. ANY
 REPRODUCTION IN PART OR AS A
 WHOLE WITHOUT THE WRITTEN
 PERMISSION OF FRUITLAND MFG. IS
 PROHIBITED.

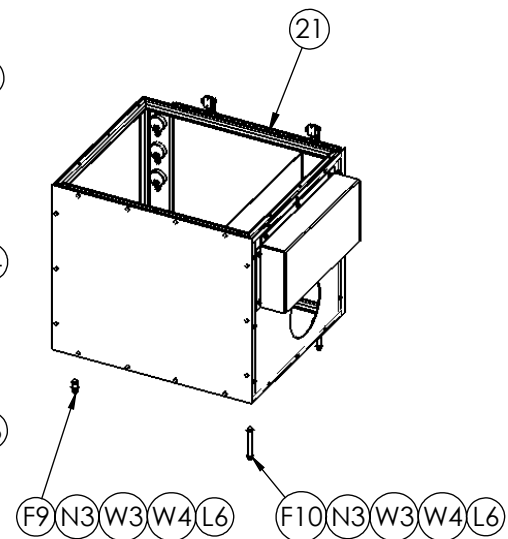


PROTOTYPE

SEE SHEET 2 OF 4
FOR BOM DETAILS

PART # ELIM FB2000-H

PROPRIETARY AND CONFIDENTIAL
THE INFORMATION CONTAINED IN THIS DRAWING IS THE SOLE PROPERTY OF FRUITLAND MANUFACTURING. ANY REPRODUCTION IN PART OR AS A WHOLE WITHOUT THE WRITTEN PERMISSION OF FRUITLAND MFG. IS PROHIBITED.



CUSTOMER COPY

	NAME	DATE	324 Leaside Avenue Stoney Creek, Ontario, CANADA L8E 2N7 Phone: (905) 662-6552 Fax: (905) 662 9875	
CREATED	Z.D.	09/23/2015	TITLE:	
CHECKED	K.A.	09/23/2015	ELIM FB2000-H BOM (TRIMETRIC)	
UNLESS OTHERWISE SPECIFIED: DIMENSIONS ARE IN INCHES TOLERANCES: FRACTIONAL OR .X = ±.015 .XX = ±.010 .XXX = ±.005			DWG. NO.	REV
			ELIM FB2000-H	PO
MATERIAL	--	SCALE: 1:24	WEIGHT:--	SHEET 4 OF 4

5

4

3

2

1