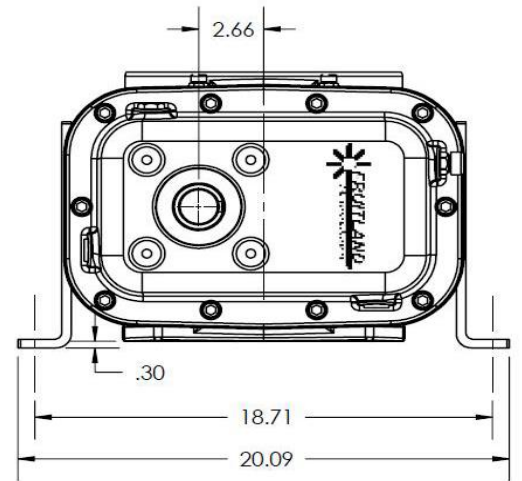
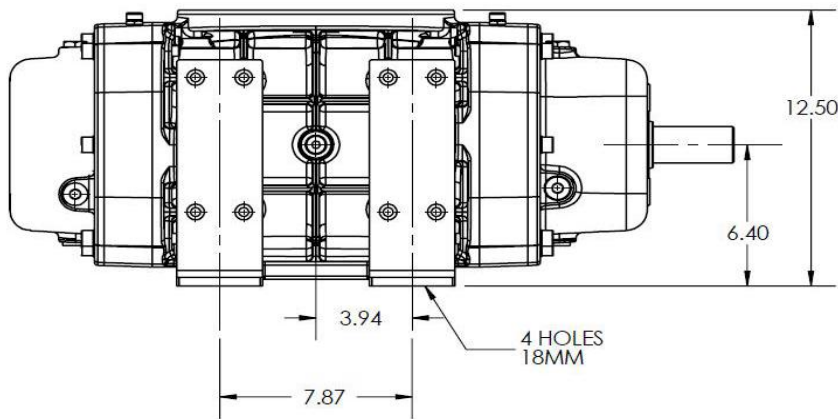
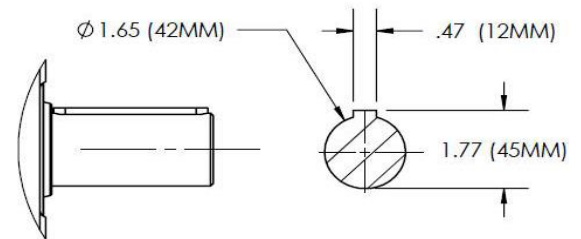
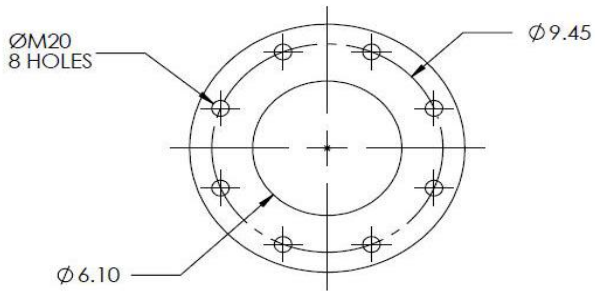
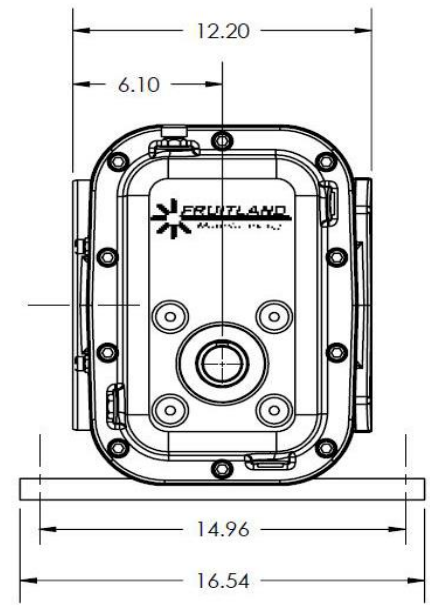
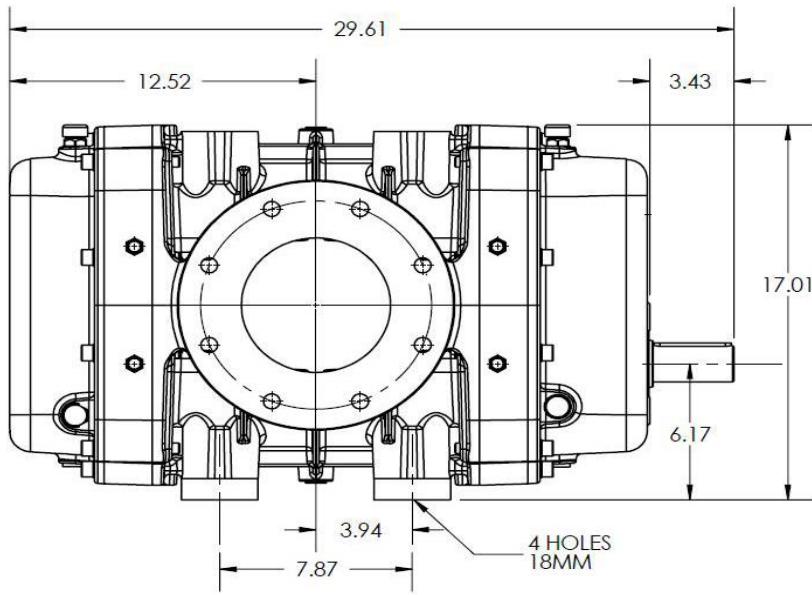


# FRUITLAND BLOWER FB-2000

## 715-1350 CFM



MOD	Q*	RPM	20% (6" Hg)		50% (15" Hg)		80% (24" Hg)		90% (27" Hg)	
			M <sup>3</sup> /h (cfm)	Kw (Hp)	M <sup>3</sup> /h (cfm)	Kw (Hp)	M <sup>3</sup> /h (cfm)	Kw (Hp)	M <sup>3</sup> /h (cfm)	Kw (Hp)
FB2000	2300 (1350)	2000	1215 (715)	10 (13.4)	1020 (600)	20 (26.8)	357 (210)	32 (42.9)		
		2500	1547 (910)	12 (16.1)	1351 (795)	25 (33.5)	646 (380)	39 (52.3)		
		3000	1887 (1110)	14 (18.7)	1683 (990)	29 (38.8)	952 (560)	46 (61.6)	BO*	
		3300	2084 (1226)	16 (21.4)	1904 (1120)	34 (45.6)	1194 (702)	53 (71.1)	145 (85)	59 (79.1)

Q=Generated capacity/ BO=Blanked Off