

HXL-Series II , Vacuum / Pressure Pumps

HXL4V

◆ Mechanical Oil Pump

- Automatic Oiling.
- No Adjustment Required.
- Delivers Right Amount of Oil at All Working Levels.

◆ Tangential Rotor Design

- Higher Airflow Efficiency.
- Less Vane Wear.
- Less Cylinder Wear.

◆ End Thrust Protection

- Prevents Rotor-to-Endcover Contact Created by Direct P.T.O. Drive or Misaligned Belt Driven Systems.

◆ Exclusive Porting Design

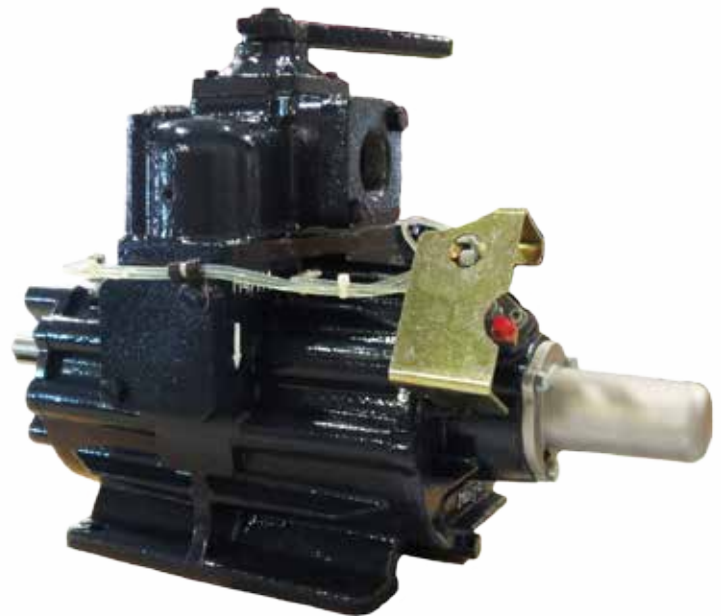
- Multiple Inlet and Outlet Porting Design for Greater Ease and Plumbing Versatility.

◆ Double End Shaft

- Accommodates Clockwise or Counter-Clockwise Drive Systems.

◆ Integral Valve

- Allows Pump to Operate in Vacuum and Pressure Mode.
- Reduces Plumbing and Installation Costs.



◆ O-Ring Endcovers

- Eliminates Air or Oil Leakage.

◆ Masport Quality & Performance

- Achieve Minimum 27" Hg (Intermittent).
- Precise Machining and Assembly.
- Heavy Duty Bearings.
- Viton Oil Seals for Longer Service Life.
- Kevlar Vanes are Heat Stabilized and Machined with Exacting Tolerances for Superior Ruggedness and Durability.
- Easy to Service.
- Superior Pump Life.

◆ Performance Warranty

- One Year Warranty.

PERFORMANCE DATA

Performance Data – Vacuum

Pump R.P.M.	Displacement C.F.M.	S.C.F.M. and A.C.F.M. @ VACUUM											Maximum Vacuum – “Hg	
			5	10	15	18	20	22	24	25	26	27	Continuous	Intermittent
1100	122	SCFM	103	78	57	41	33	23	15	12	7.2	3.7	20	27
		ACFM	121	117	114	103	99	86	75	72	53	37		
1225	137	SCFM	116	88	63	46	37	26	16	14	9.6	4.1	20	27
		ACFM	136	132	127	115	111	97	80	78	71	41		
1400	156	SCFM	132	100	72	53	42	30	19	16	11	4.7	20	27
		ACFM	155	150	145	132	126	112	95	84	81	47		

Performance Data – Pressure

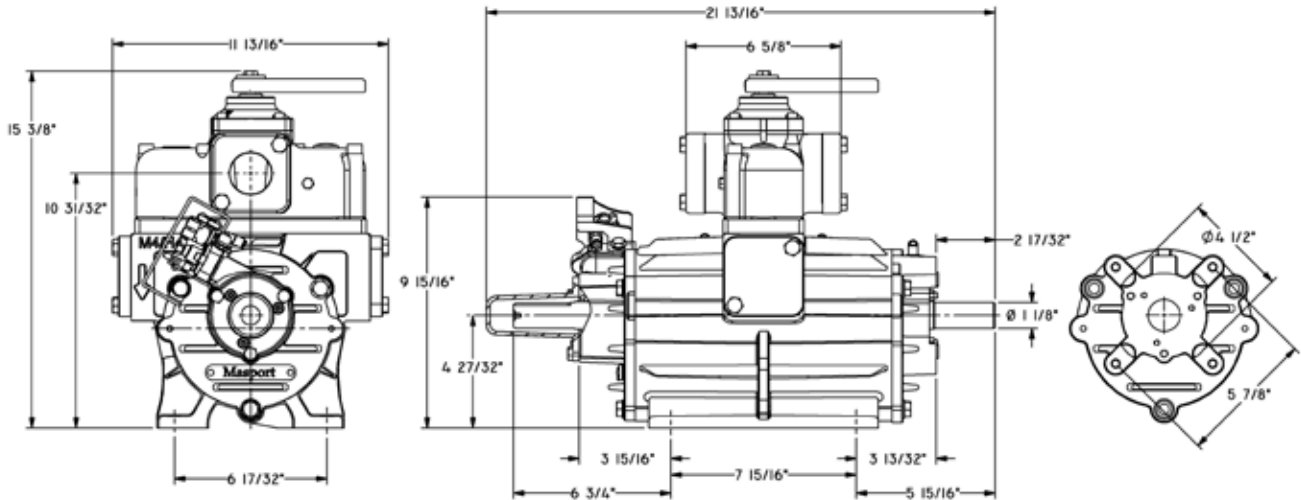
Pump R.P.M.	Displacement C.F.M.	S.C.F.M. @ P.S.I.G.							Maximum Pressure – P.S.I.G.	
		5	10	15	18	20	25	30	Continuous	Intermittent
1100	122	102	97	93	87	82	77	72	20	30
1225	137	115	109	104	98	92	87	81	20	30
1400	156	131	125	119	112	105	99	92	20	30

Horsepower Required @ P.S.I.G.

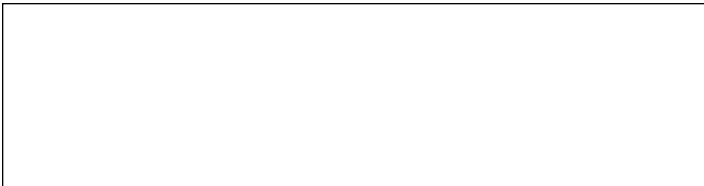
Pump R.P.M.	P.S.I.G.				
	5	10	15	20	25
1100	4.9	6.9	8.7	10.7	12.4
1225	5.5	7.7	9.7	11.9	13.8
1400	6.3	8.8	11.0	13.6	15.8

Horsepower Required @ “Hg

Pump R.P.M.	Vacuum “Hg				
	5	10	15	20	27
1100	4.4	4.7	4.9	5.4	5.9
1225	4.9	5.2	5.5	6.0	6.6
1400	5.6	5.9	6.3	6.9	7.5



For additional information on these quality Masport Vacuum / Pressure Pumps contact:



MASPORT INCORPORATED

6801 Cornhusker Hwy
Lincoln, Nebraska 68507
402-466-8428 FAX: 402-466-8355

E-Mail: masport.sales@alltel.net

CALL TOLL FREE 800-228-4510

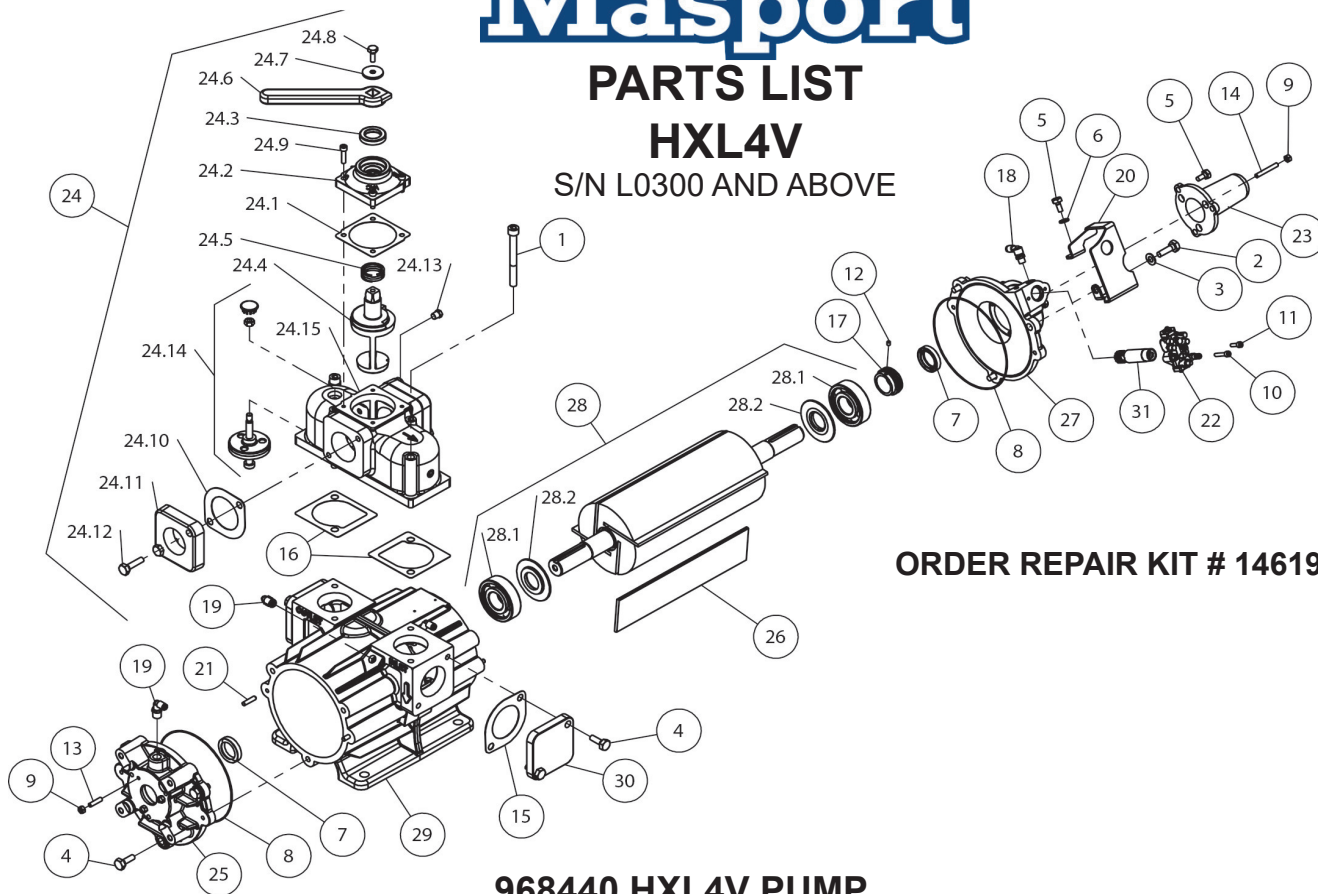




PARTS LIST

HXL4V

S/N L0300 AND ABOVE



ORDER REPAIR KIT # 14619

968440 HXL4V PUMP

ITEM	PART	DESCRIPTION	QTY.
1	32200	ALLEN HD SCREW M10 X 100	4
2	32307	BOLT M10 X 30 HEX	1
3	32508	WASHER 3/8	1
4	501569	BOLT M10 X 25 HEX	9
5	501571	BOLT M8 X 16 HEX	4
6	501610	LOCKWASHER M8	1
7	501676	OIL SEAL	2
8	501681	O RING	2
9	501682	NUT M6	6
10	504261	ALLEN HD SCREW M5 X 25	1
11	504262	ALLEN HD SCREW M5 X 16	1
12	504264	SET SCREW M5 X 6	1
13	504274	SET SCREW M6 X 25	3
14	504275	SET SCREW M6 X 45	3
15	568009	FLANGE GASKET	2
16	568066	VALVE GASKET	2
17	568069	WORM GEAR	1
18	568085	ELBOW 1/8" NPT SWIVEL	1
19	568086	ELBOW 1/4" NPT SWIVEL	3
20	568904	OIL PUMP GUARD	1
21	575111	DOWEL PIN M6 X 24	4
22	575437	OIL PUMP 150cc	1
23	61412	SHAFT GUARD	1
24	968350	VALVE	1

24.1	568063	VALVE CAP GASKET	1
24.2	968346	VALVE CAP	1
24.3	501573	OIL SEAL	1
24.4	968341	VALVE SPOOL	1
24.5	568347	SPOOL SPRING	1
24.6	968055	VALVE HANDLE	1
24.7	501550	WASHER 5/16	1
24.8	501702	BOLT M6 X 16 HEX	1
24.9	11049	ALLEN HD SCREW M6 X 25	4
24.10	568009	FLANGE GASKET	2
24.11	968159	FLANGE 1 1/2"	2
24.12	501878	BOLT M10 X 35 HEX	4
24.13	143901	PLUG 1/8" NPT/BSP	1
24.14	968351	POPPET ASSEMBLY	1
24.15	968349	VALVE BODY	1
25	969761	ENDCOVER NON OIL PUMP	1
26	975393	VANE PACK (4)	1
27	975468	ENDCOVER OIL PUMP END	1
28	975469	ROTOR ASSEMBLY	1
28.1	500082	BEARING	2
28.2	75601	BEARING SPACER	2
29	975471	CYLINDER	1
30	975476	BLANK FLANGE	2
31	975482	DRIVE SHAFT ASSEMBLY	1
32	600293	OIL LINE (FT)	2 FT