



Python[®] XL

Pneumatically Operated Pumps for Chemical Injection



PROVEN QUALITY. LEADING TECHNOLOGY.

Python® XL Pneumatically Operated Pumps

Features and Benefits

Python XL pumps are ideal for wells with low gas pressure. Capable of operating up to 12,000 psi, the pumps are easy to operate and include an air motor with the same proven technology that Graco offers in other product lines. Plus the Python XL's extreme duty plungers (Chromex™ and ceramic coated), seals and air valves are designed for years of operation before replacement.

Ease of serviceability

- Modular air valve design
- Removable pilot valve
- Pump lowers are interchangeable with other Python XL models
- Plunger packings can be replaced in 10 minutes or less

Highest technology air motor on the market

- Low air/gas consumption for increased efficiency
- Muffler provides low operation noise levels
- Proven Graco air motor technology

Robust and simple design

- 316 SST fluid section/wetted parts
- Three stroke adjustment positions
- HNBR, FKM, FKM ETP, and FFKM plunger packings and check valve seals
- Available in a bracket or stand mount

Environmentally friendly

- 97% recoverable exhaust gas
- Reduced fugitive methane emissions



B32251
Air Motor 3.5"



B32302
Pump Lower Kit
1/2" Chromex Plunger



B32256
1/2" Chromex Plunger



B32253
Needle Valve Kit



B32270
Larger Adapter
Plate Kit



B32264
1/4" Packing Nut Kit



B32266
1/2" Packing Nut Kit

Ordering Information

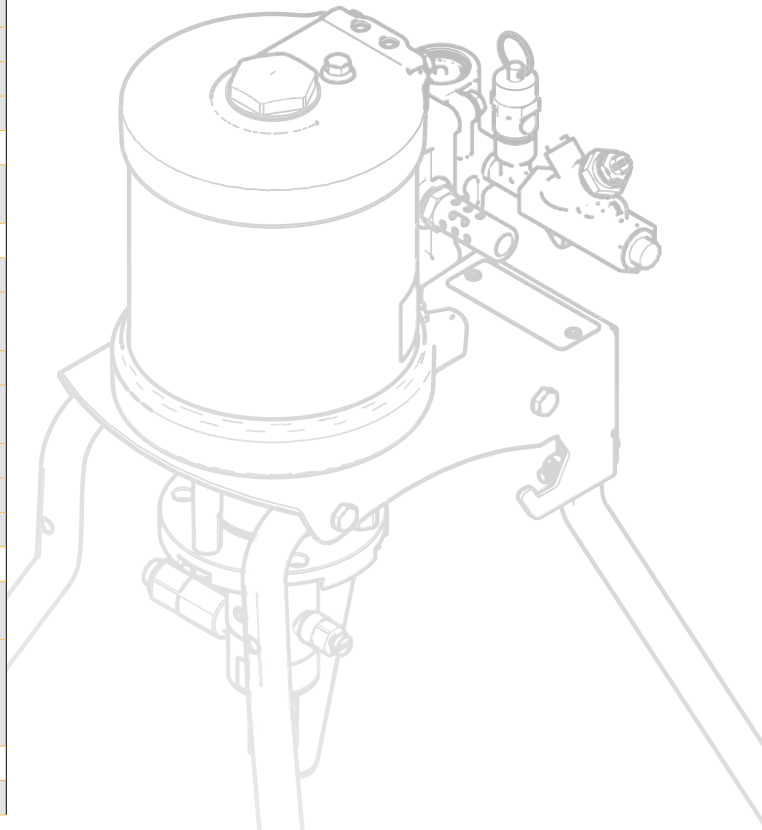
GRACO Python XL Pneumatic Pump Model Numbers					
Seals / Plunger Size	1/4"	3/8"	1/2"	5/8"	3/4"
Python XL, Chromex Coated Plungers (CE Approved)					
FKM	A25300	A25301	A25302	A25303	A25304
FKM-ETP	A25305	A25306	A25307	A25308	A25309
HNBR	A25310	A25311	A25312	A25313	A25314
FFKM	A25315	A25316	A25317	A25318	A25319
Python XL, Ceramic Coated Plungers (CE Approved)					
FKM	A25320	A25321	A25322	A25323	A25324
FKM-ETP	A25325	A25326	A25327	A25328	A25329
HNBR	A25330	A25331	A25332	A25333	A25334
FFKM	A25335	A25336	A25337	A25338	A25339
Python XL, Chromex Coated Plungers (ATEX Approved)					
FKM	A25340	A25341	A25342	A25343	A25344
FKM-ETP	A25345	A25346	A25347	A25348	A25349
HNBR	A25350	A25351	A25352	A25353	A25354
FFKM	A25355	A25356	A25357	A25358	A25359
Python XL, Ceramic Coated Plungers (ATEX Approved)					
FKM	A25360	A25361	A25362	A25363	A25364
FKM-ETP	A25365	A25366	A25367	A25368	A25369
HNBR	A25370	A25371	A25372	A25373	A25374
FFKM	A25375	A25376	A25377	A25378	A25379

Pump Kits Ordering Information			
Kit No.	Item Description	Kit No.	Item Description
B32302	Pump Lower Kit for 1/2" Chromex Plunger	B32270	Large Adapter Plate Kit, 5/8"-3/4"
B32256	1/2" Chromex Plunger Kit	B32264	1/4" Packing Nut Kit
B32253	Needle Valve Kit (110 psi safety valve)	B32266	1/2" Packing Nut Kit

For additional kit information, refer to Python XL instruction manual 3A3948A, pages 33, 34, 35, and 41

Technical Data

Python XL Chemical Injection Pump	
Minimum pneumatic inlet pressure	15 psi (0.82 bar)
Maximum fluid working pressure	12,000 psi (826.8 bar)
Maximum cycle rate	100 cpm
Environmental temperature range	-40° to 176°F (-40° to 80°C)
Noise (dBa)	
Maximum sound pressure	<70 dBa with included muffler installed
Inlet/Outlet Sizes	
Fluid inlet size	1/4 in. npt(f)
Fluid outlet size (3/8", 1/2", 5/8", & 3/4" plungers only)	1/4 in. npt(f)
Fluid outlet size (1/4" plungers only)	HiP HF4
Prime/bleed size (3/8", 1/2", 5/8", & 3/4" plungers only)	10-32 UNF
Prime/bleed size (1/4" plungers only)	1/16 in. npt(f)
Pneumatic inlet size	1/4 in. npt(f)
Exhaust fitting size	3/8 in. npt(f)
Materials of Construction	
Pump/Check Valve Seal Material	See Configuration Number Matrix below for seal material.
Wetted Parts	See Configuration Number Matrix below for plunger material. All other materials are 316 stainless steel unless otherwise noted.
Weight	
All models	20.0 lbs (9.1 kg)



Configuration Number Matrix

Check the identification plate (ID) for the 12-digit Configuration Number of your pump. Use the following matrix to define the components of your pump. *NOTE: Not all combinations are possible.*

Sample Configuration Number: **PCI-350-25S-XA-0**

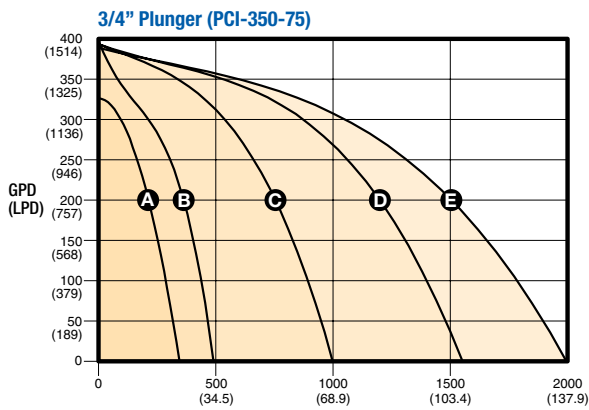
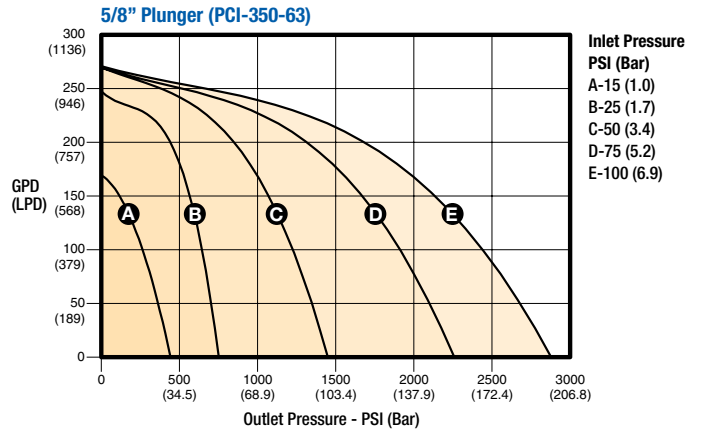
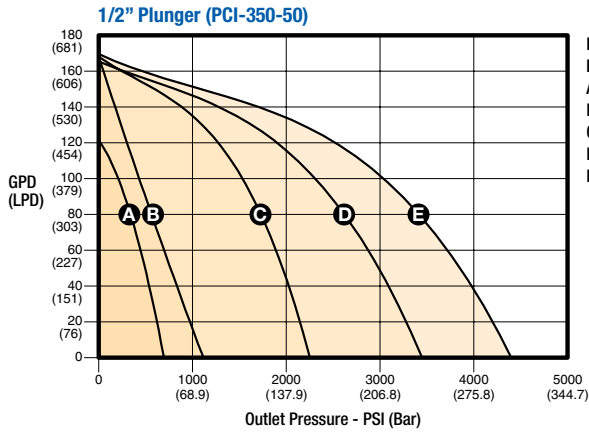
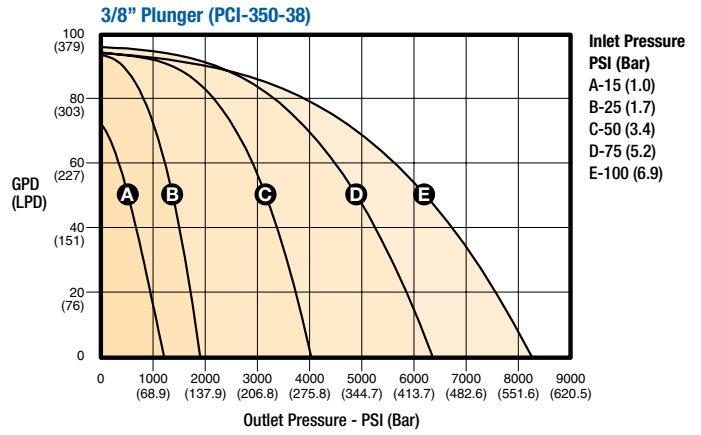
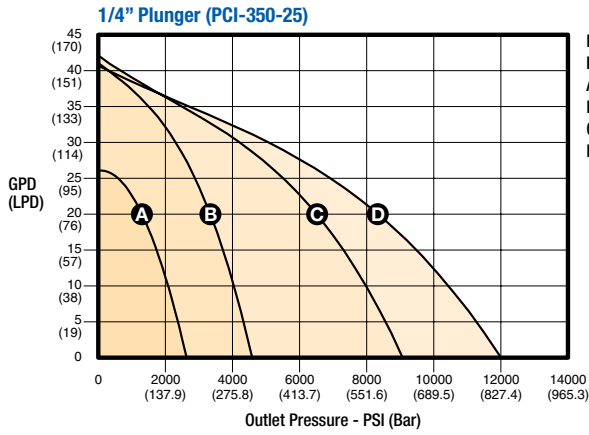
PCI	350	25	S	X	A	0
Pneumatic Chemical Injection	Pneumatic Motor Size	Plunger Size	Pressure Range	Plunger Material	Seal Material	Qualifier

Pneumatic Motor Size		Plunger Size (diameter)		Pressure Range		Plunger Material		Seal Material		Qualifier	
350	3-1/2"	25	1/4"	S	1/4" NPT(F)	X	Chromex	A	FKM	0	None
		38	3/8"	H	HiP HF4	C	Ceramic	B	FKMETP	A	ATEX
		50	1/2"					C	HNBR		
		63	5/8"					D	FFKM		
		75	3/4"								

Key Points

- All pumps feature 1/4 in. npt(f) inlet connections.
- Kit B32240 can be used to convert an HF4 outlet connection to a 1/4 in. npt(f) for applications at or under 10,000 psi (689 bar).

Performance Curves



All written and visual data contained in this document are based on the latest product information available at the time of publication. Graco reserves the right to make changes at any time without notice.

Call today for product information or to request a demonstration:
866.552.1868, email oilandgas@graco.com or visit us at www.graco.com.

©2016 Graco Inc. 3G0026 Rev. B 05/16 Printed in the U.S.A.
 All other brand names or marks are used for identification purposes and are trademarks of their respective owners.

